

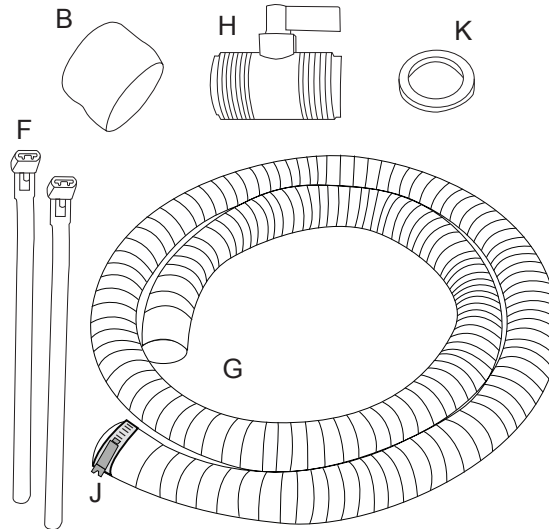


# Ivy Rain Barrel® Installation Instructions.

Please read all instructions before installing your rain barrel. Retain instructions for future reference. The Ivy Rain Barrel is proudly made in the USA of the highest quality materials available.

## What's included:

- rain barrel (A)
- cap (B)
- rain barrel lid (C)
- pre installed screen & ring (D)
- flex overflow hose (G)
- ball valve - spigot (H)
- re-usable zip ties (F)
- hose clamp (J)
- rubber gasket (K)



## What's needed for installation:

- gloves and safety glasses
- blocks (I)\*
- hack saw
- tape measure and marker
- screw driver

\* not included

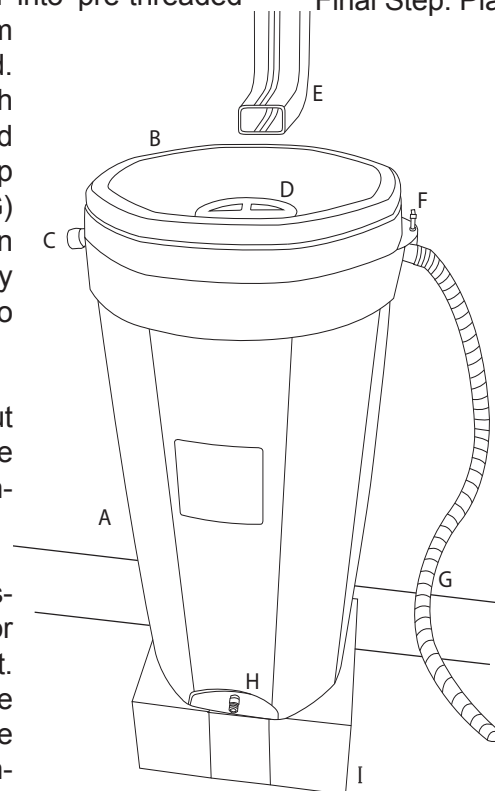
**Step 1:** Assemble the barrel. Push rubber gasket (K) into threaded port at bottom of rain barrel. Thread ball valve (H) using end with tighter thread pattern into pre-threaded port. The small lever points away from the barrel when properly installed. Hand tighten, DO NOT over tighten with wrench, this may damage seal. Attach lid (C) and secure with re-leasable zip ties (F). Connect overflow hose (G) to one overflow port and tighten hose clamp. Direct overflow away from foundation and add cap (B) to opposite port.

**Step 2:** Choose convenient downspout location. It is recommended to elevate rain barrel using concrete blocks and install on sturdy, level ground.

**Step 3:** Measure blocks and assembled rain barrel, allow room for gutter elbow (E)\* and mark the cut. **WARNING:** Cold climates be aware that heated downspouts may cause electrical shock. Call a professional before installing. Wearing safety

glasses and gloves use a hack saw to cut downspout.

**Final Step:** Place assembled rain barrel on blocks (I)\* and attach gutter elbow to direct rainwater into screened inlet of lid. You are now ready to start collecting and using your rainwater! This water is **NON-POTABLE** and should never be consumed.



**Linking rain barrels:** The overflow hose can be used to connect another Ivy or Moby rain barrel. Simply shorten the over flow, add a second hose clamp to second barrel over flow. Visit [RainWaterSolutions.com](http://RainWaterSolutions.com) to view more set up options.

**Maintenance:** Keep screened inlet clear of debris. In areas that have large pollen counts, the rain barrel may develop a smell after pollen season. If this happens, drain barrel and use soft bristle brush to clean out barrel then re-install.

**Winterize:** Drain, disconnect and store in a dry area.

**Warranty:** The Ivy Rain Barrel® is warranted for two years from date of retail purchase against defects in material and workmanship, and is solely for the benefit of the original consumer purchaser. (Retain your dated sales receipt as proof of purchase). **COVERED:** Replacement of defective parts and freight (Standard Ground) to cover product return and delivery. **NOT COVERED:** Damages caused by negligence, abuse, failure to perform normal maintenance, failure to properly winterize or failure to adhere to product instructions for use. Any other expense involving this product. This Warranty shall not apply to any defect, malfunction or failure to conform with the Warranty provisions if caused by damage (not resulting from defect or malfunction) due to unreasonable use or accidental occurrence involving the Purchaser. This includes CONSEQUENTIAL DAMAGES, INCIDENTAL DAMAGES OR INCIDENTAL EXPENSES, INCLUDING DAMAGE TO PROPERTY and INJURY TO PERSONS. SOME STATES DO NOT ALLOW THE EXCLUSION OR LIMITATION OF INCIDENTAL OR CONSEQUENTIAL DAMAGES, SO THE ABOVE LIMITATION MAY NOT APPLY TO YOU. This Warranty gives you specific legal rights, which may vary from state to state. **QUALIFICATION FOR WARRANTY PERFORMANCE:** Email us at [info@rainwatersolutions.com](mailto:info@rainwatersolutions.com) and include proof of purchase, narrative description of issue, photo of are described along with your name, address, and phone number. Rain Water Solutions will assess the issue and process your claim in a timely manner.

**REQUEST FOR WARRANTY ACTION:** Please direct requests for action on this warranty or any other product inquiries to [info@rainwatersolutions.com](mailto:info@rainwatersolutions.com) or send information to Rain Water Solutions, 3812 Tarheel Drive, Suite C, Raleigh, NC 27609. You can also reach us by phone at 919.835.1699 or via email at [info@rainwatersolutions.com](mailto:info@rainwatersolutions.com) or the web [www.RainWaterSolutions.com](http://www.RainWaterSolutions.com)